



AUTOMOTIVE PTY LTD

25 Metrolink Circuit West Campbellfield  
Victoria 3061 Australia  
ABN: 48166279670 ACN: 166279670

Phone: +61 3 9930 0100  
Fax: +61 3 8339 2270  
Email: sales@saasautomotive.com.au

## Item No: DB1011 (2 Port Kit) Thread Size: M8



### Differential/Gearbox Breather Kit Fitting Guide.

**CAUTION:** If you do not have basic mechanical skills then **do not** attempt to fit this kit.

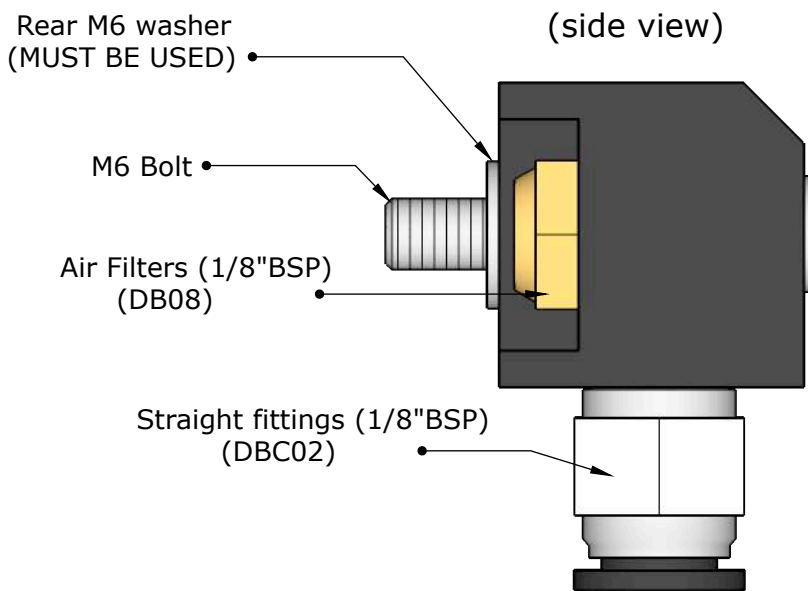
**IMPORTANT:** It is **your** responsibility to make sure the air filters in this kit are not obstructed in any way. Incorrect fitting could result in damage to your differential or gearbox and will **not** be covered under warranty!

**Step 1:** Locate and remove factory breathers on your differential/gearbox and check that the fittings in this kit will suit your application. Some vehicles use rubber hose for their breather system and may require an optional barb joiner. Common sizes for joiners you may need: **1/4" to 3/16"** or **1/4" to 5/16"** ect. (SAAS breather hose will fit 1/4" barb fittings)

**Step 2:** Assemble the required parts to the breather (**do not over tighten parts**) and find a place up high (usually in the engine bay) to mount the breather. Most engine bays will have spare M6 threads that can be used to mount the breather. The filters on the back of the breather must have a 3mm (minimum) clearance from the mounting surface to ensure correct operation. **Fitting Tip:** Try to mount the breather away from your cabins air intake, this will prevent fluid vapour from your diffs/gearbox entering your cabins air vents.

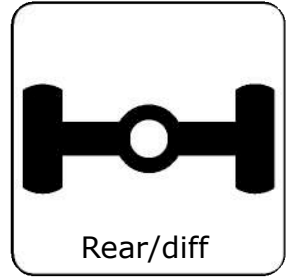
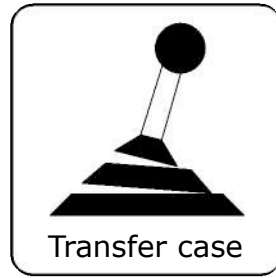
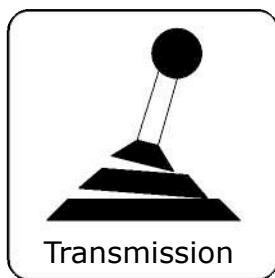
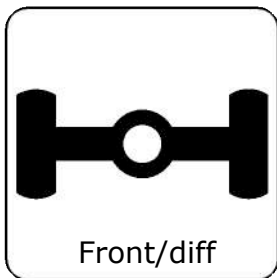
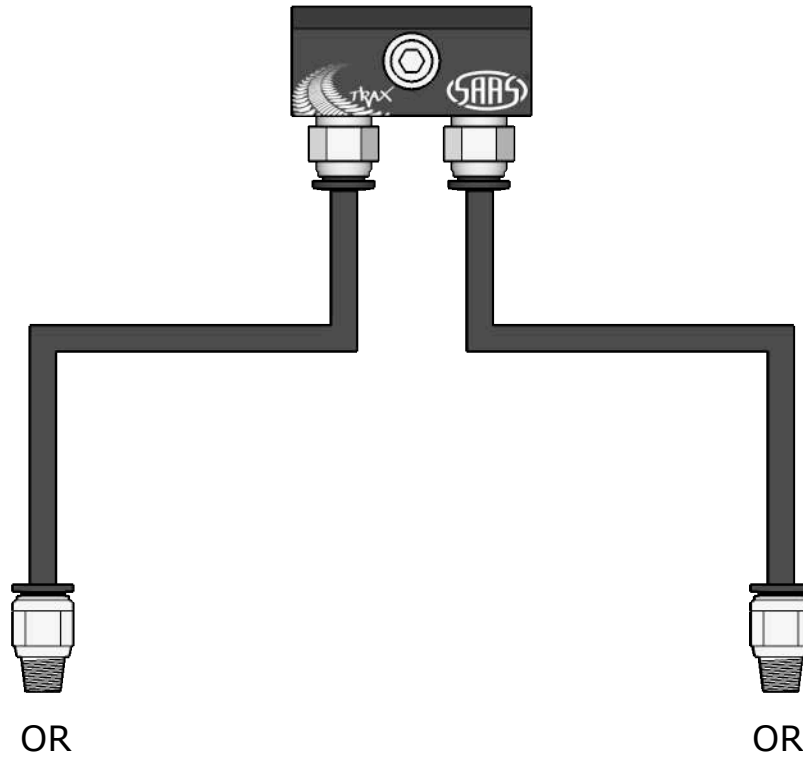
**Step 3:** Install the hose fittings to your differential/gearbox and run the supplied hose up to the breather and secure hose with supplied cable ties. Make sure to allow for differential travel when running the breather hose and keep away from exhaust heat!

### Manifold assembly



# Typical layout

(Diff or gearbox installation)



## Item No:

## Components

DBC02



→ Straight push in fittings (use for manifold assembly)  
(1/8" BSP)

DBC03



→ Straight push in fittings (use for differentials/gearbox/transfer case)  
(M8)